



The 9th

INTERNATIONAL LAUNDRY COIN-OPERATED EXPO 2025



2025

Feb. 26 Thu. > 28 Fri.

TOKYO BIG SIGHT

The only coin-operated laundry trade show in Japan

Showcase of the latest laundromat innovations

– Laundromat × Self-Service Station –

Self-Operation



In Japan, laundromat business is developing in its unique ways over past decades, reaching over 25,000 stores nationwide. The huge market has been growing continuously with a new wave as represented by laundromat IoT technology, cutting-edge self-operating system and combining with cross-industrials. Take advantage of this opportunity to showcase the latest products and services for exploring the latest laundromat market in the Asia region.



The prestigious 9th Annual Laundromat Awards will be held during the show.

COLLABORATION

Exhibitor Profile



Machine / Equipment manufacturer



Material manufacturer



Equipment and material distributor



Trading house / Agent



Detergent manufacturer



Franchiser / Franchisee



Self-service Station
System vender, Delivery locker, Car wash, Vending machine



etc. Other
(House cleaning, Wash & fold laundry service, Store design, Security service provider, IT equipment supplier etc.)

Visitor Profile

- Laundromat owner
- Hotel / Hospital / Welfare facility
- Real estate agent
- Dry cleaner owner
- Franchise shop owner
- Commercial facility / Retail industry
- Gas station / Oil wholesaler
- Gas, electricity supplier
- Investment company / Financial institution
- Equipment / Material distributor

At A Glance

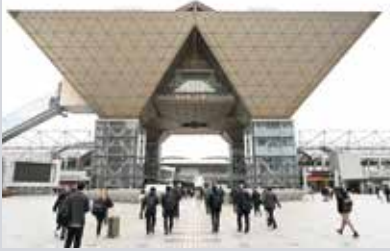
ICLE 2023 Show Results

Number of exhibitors

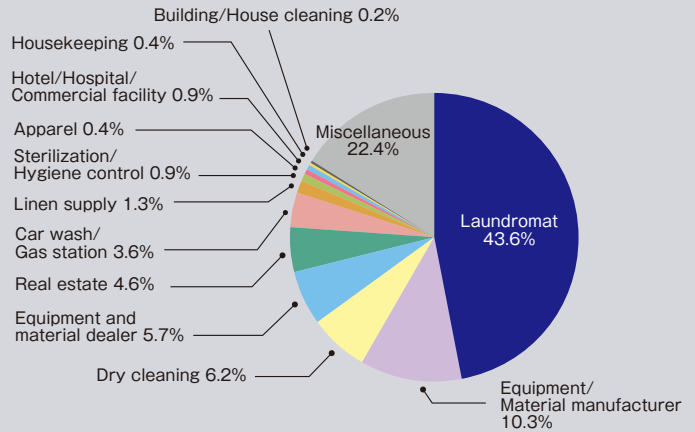
30 companies 89 booths

Number of Visitors

2,215 visitors



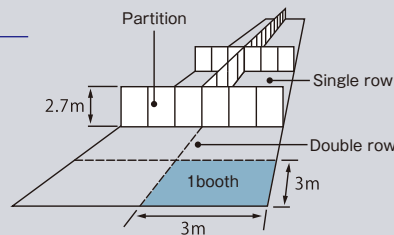
Category of Visitors



Participation Scheme

Raw space

9sqm / JPY363,000

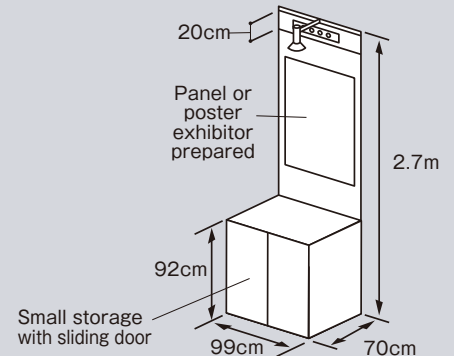


Ready-Built Compact Stand

Unit stand

JPY132,000

- Parapet (White) w99cm x h2.7m x 1
- Display counter (small storage with sliding doors) (White) w99cm x d70cm x h92cm x 1
- Company name board (Gothic/Black) w90cm x h20cm x 1
- Spotlight 75W x 1
- Outlet 100V (2 sockets) x 1
- Electricity · 500W

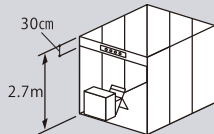


*Optional

Display Package

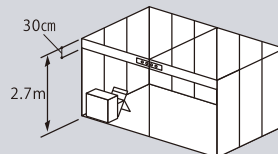
A-1 (9sqm) / JPY110,000

- Company sign x 1
- Punch carpet x 1
- Reception counter x 1
- Visiting card box x 1
- Folding chair x 2
- LED light (20w) x 2
- LED Spotlight (5w) x 2
- Outlet (850w) x 1



A-2 (18sqm) / JPY198,000

- Company sign x 1
- Punch carpet x 1
- Reception counter x 1
- Visiting card box x 1
- Folding chair x 4
- LED light (20w) x 4
- LED Spotlight (5w) x 4
- Outlet (850w) x 2



- Display package (A-1) is applied for 9 square meters (3m x 3m).
- There are several types of display packages by content, design, and booth size.
- All types of display packages can be applied from mid-December.

Discount

Early Bird : JPY1,000 / booth (Deadline : October 31, 2024)

ICLE2023 Exhibitor : JPY33,000 / booth

All listed prices are including tax.

Seminar Presentation

ICLE exhibitor is entitled to have a free presentation at the seminar room.

- 45min/1slot. Allocated time slot/schedule are subject to change by the organizer.
- This scheme is on a first come, first served basis.
- Basic video and audio equipments for the seminar will be provided.
- If you need a bilingual support, please ask the show management office for paid translation service in advance.

Exhibition Timeline



Preferential allocation of booth positions before floor plan release.

Contact

Show Management Office

c/o JC Resonance Co., Ltd. 1-12-2 Shirokane, Minato-ku, Tokyo 108-0072, Japan E-mail:office@jc-resonance.co.jp